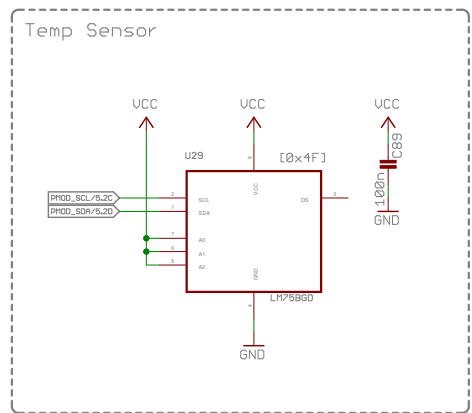
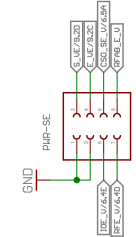
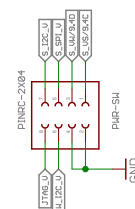
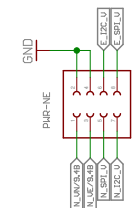
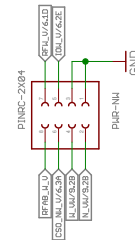
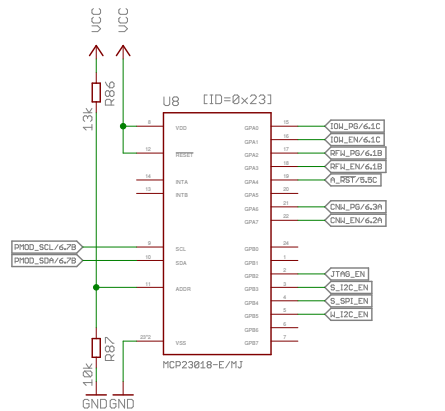
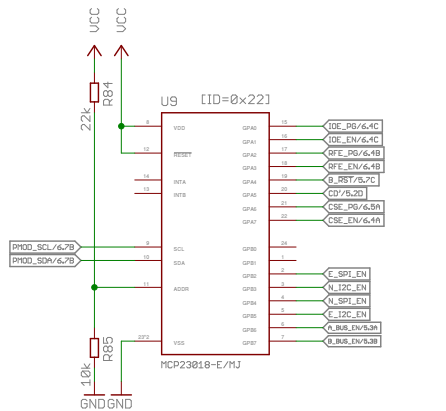
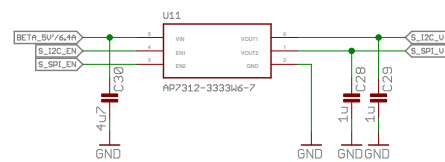
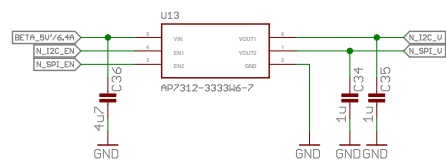
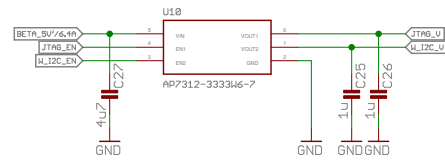
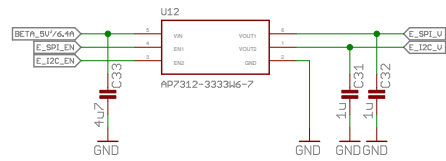


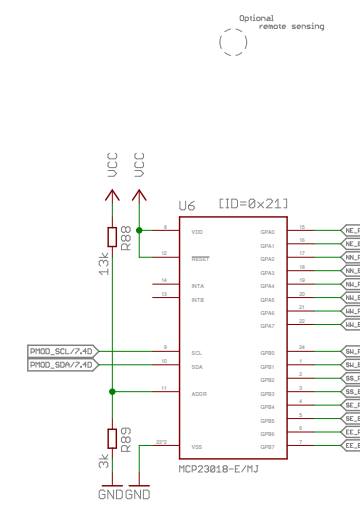
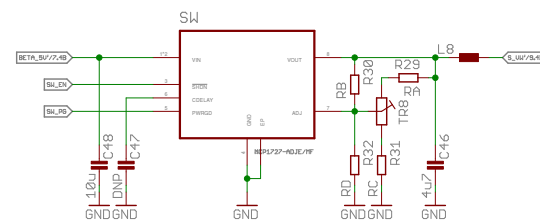
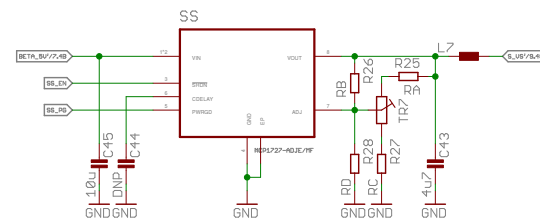
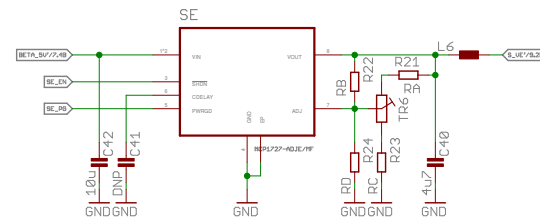
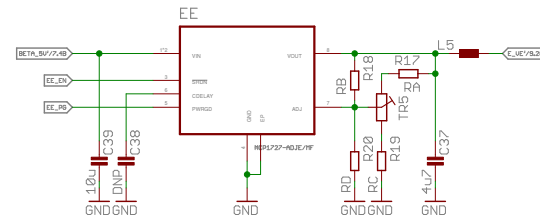
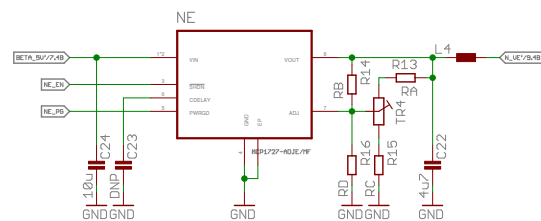
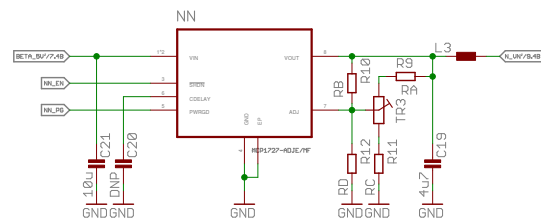
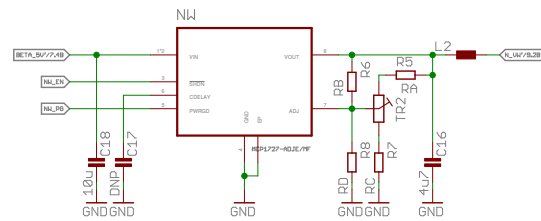
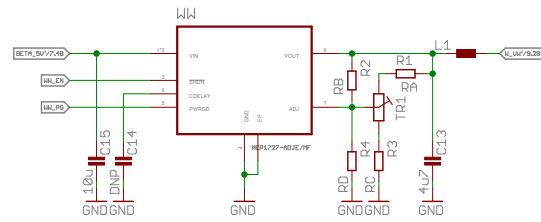
20k, 68k ..... 1.804U  
 20k, 102k ..... 2.501U  
 25k5, 180k .. 3.304U





AXIOM Beta Power Board  
 Interface Power and Control  
 Copyright (C) 2014-2017 H.Poetzl  
 Licensed under CERN OHL v.1.2

axiom\_beta\_power\_board\_v8.30  
 09/03/2017 02:31  
 Sheet: 7/10



RD	Trim	RA	Nom.	Range
18k	100k	43k	.....	1.385U - 3.667U
20k	100k	62k	.....	1.681U - 3.731U
20k5	100k	68k	.....	1.770U - 3.770U
13k	75k	38k9	.....	1.385U - 3.758U
12k4	75k	38k	.....	1.402U - 3.882U

RA	RB	RC	RD	Trim	Nom.	Range
180k	430k	20k	180k	47k	.....	1.475U - 3.794U
240k	240k	18k	160k	47k	.....	1.474U - 3.722U
147k	255k	14k3	143k	47k	.....	1.301U - 3.885U
390k	360k	30k	160k	100k	.....	1.480U - 3.778U
380k	365k	26k1	191k	100k	.....	1.213U - 3.854U
324k	432k	30k1	182k	75k	.....	1.858U - 3.703U



